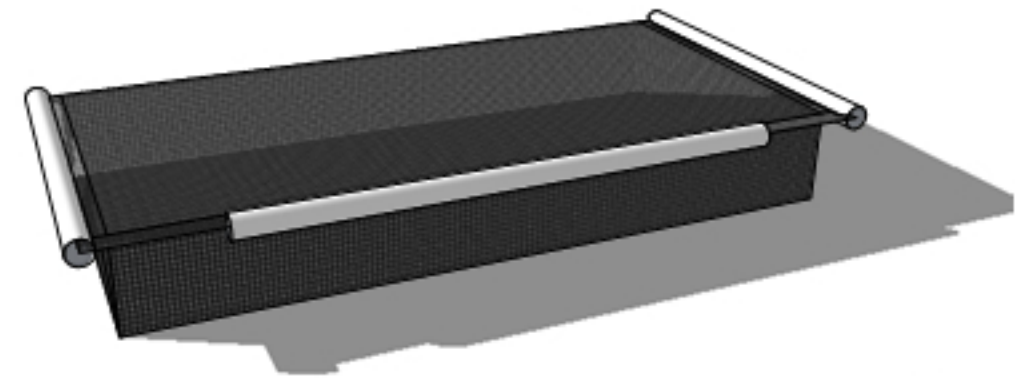
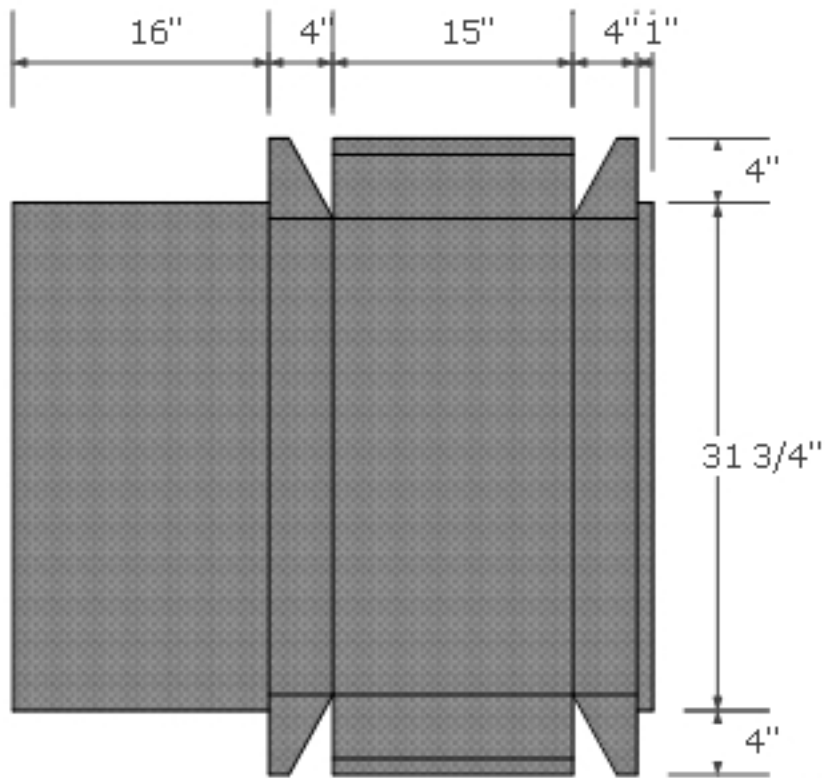
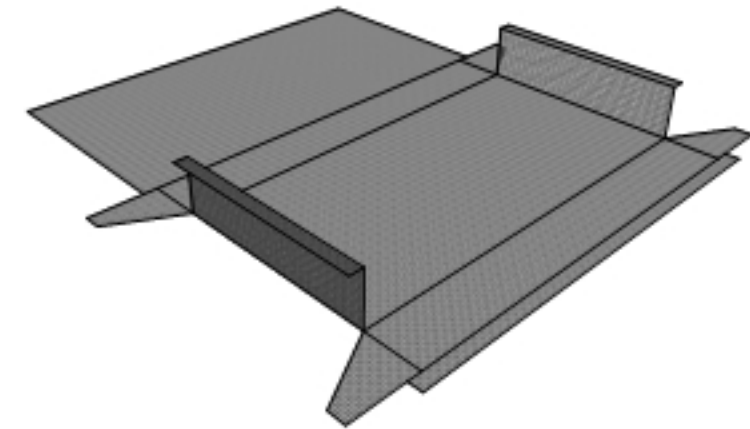
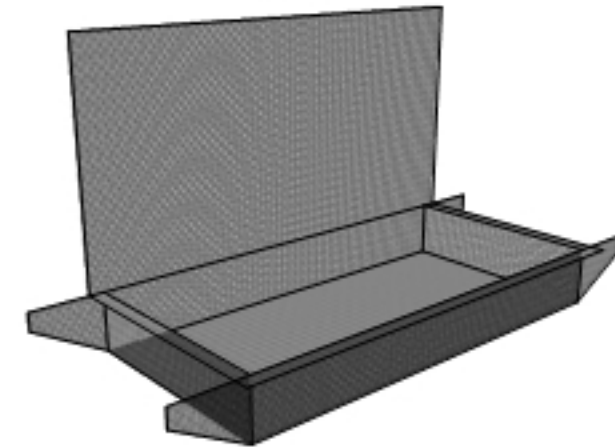


Construction

Extruded 3/16" square mesh
 Cut out tabs
 Fold up walls and fold over tabs
 Fasten with hog rings at corners
 Closures constructed of 1" PVC pipe
 slit down the center with a 1/16" knife

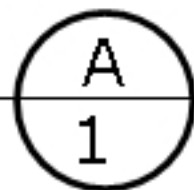
Deployment

Cage lined with mosquito screen
 Filled with 2" of coarse sand
 Stocked with 3000 seed clams



Cage Pattern

3/4" = 1'



Cage Fold

